

US-Patent

No.

Diskrete Mathematik  
Universität Bonn

P-189

Dec. 4, 1923.

1,476,197

C. M. FRIDEN

CALCULATING MACHINE

Filed Jan. 17, 1921

2 Sheets-Sheet 2

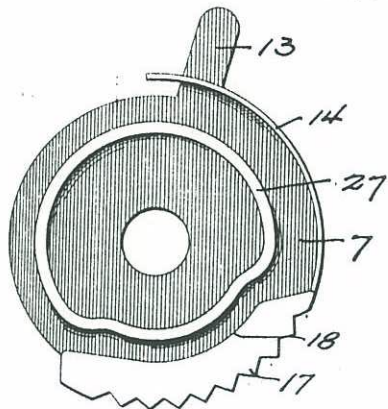


Fig. 6.

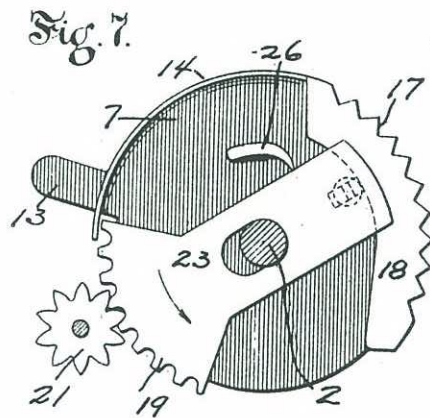


Fig. 7.

Fig. 7  
← L 64 S. 2

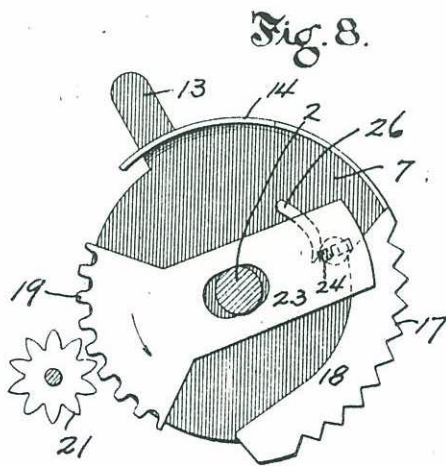


Fig. 8.

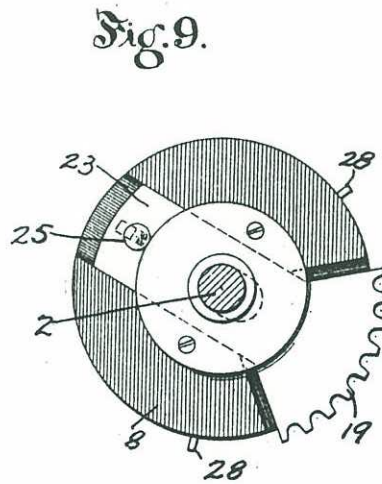


Fig. 9.

WITNESS

*A. Sherburne*

INVENTOR  
C. M. FRIDEN.

BY  
*White, Probst & Evans*  
his ATTORNEYS